

UNI-WMB3

Security Housing Bracket

SONY
make.believe

Wall Mount Bracket

With the installer in mind, the UNI-WMB3 wall mount bracket is designed to reduce critical installation time with a tamper resistant removable top cover that permits effortless installation. This aluminum wall mount bracket includes a built in coupler compatible with all Sony pendant mount dome housings for pan/tilt/zoom cameras, including the SNC-RS, RH, RZ, RX, ER/EP series of outdoor PTZ cameras.



KEY FEATURES

- Removable tamper resistant top cover.
- Lanyard design allows for the use of both hands during installation.
- Sony coupler included for quick installation and universal compatibility.
- 3/4 inch (27mm) conduit knockout.
- All aluminum construction with stainless steel hardware.
- Durable white powder coat finish.

BID SPECIFICATIONS

- The wall mount bracket shall be a Sony model UNI-WMB3. The UNI-WMB3 is an all aluminum mount bracket for Sony pendant mount dome housings and unitized outdoor pan / tilt / zoom cameras such as the UNI-ONER(EP) C2(7), SNC-RH164, SNC-RS84N and SNC-RS86N. The bracket has a Sony quick release coupler with stainless steel hardware including security screws for the dome housing. The bracket features a protective white powder coat finish. This wall mount can be combined with the UNI-CMA1 for corner mount applications, UNI-WMBB1 for pole mount or back box applications, UNI-PBU1 for 110 VAC to 24 VAC applications, and with the UNI-PMA1 for pole mounting applications.

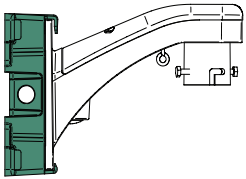
SPECIFICATIONS

UNI-WMB3	
Architecture / Engineering Specifications	
Size (H x W)	7.64 x 9.67 inches (194.1 x 245.6mm)
Weight	3 lbs. (1.4 kg)
Body Construction	Aluminum
Shipping	
Weight*	3 lbs. (1.4 kg)
Dimensions	10.5 x 8 x 4 inches (267 x 203.2 x 102mm)
	*Shipping weights are dependent on weight of product and shipping materials
Attributes	
Body Construction	Aluminum
Environment	Indoor / Outdoor
Mounting Style	Wall
RoHS	Yes
WEEE	Yes
Supplies Accessories	
Fitting	3/4 inch
UNI-WMBB1	3/4 inch
UNI-WMB3	3/4 inch
UNI-CMA1	3/4 inch

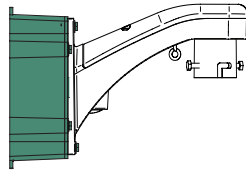
PRODUCT IMAGE



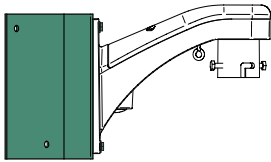
ACCESSORIES



UNI-WMBB1 with UNI-WMB3



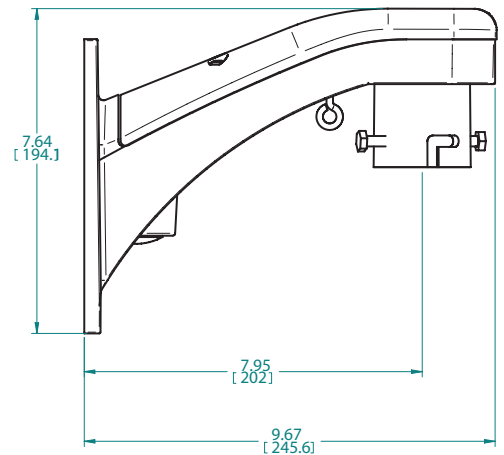
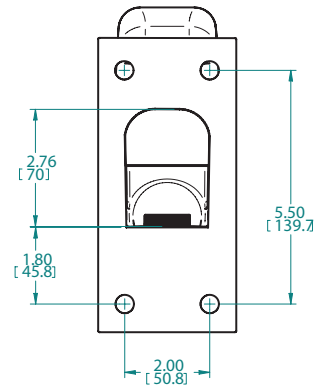
UNI-PBU1 with UNI-WMB3



UNI-CMA1 with UNI-WMB3

DIMENSIONS

Unit: inches (mm)



© 2012 Sony Electronics Inc. All rights reserved.
 Reproduction in whole or in part without written permission is prohibited.
 Features and specifications are subject to change without notice.
 Weights and measurements are approximate.
 Sony and the Sony make.believe logo are trademarks of Sony.

Sony Electronics Inc.
 1 Sony Drive
 Park Ridge, NJ 07656
sony.com/security